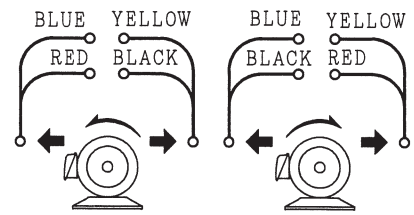
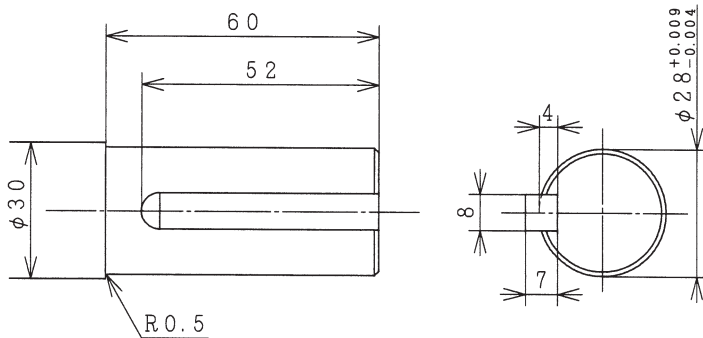
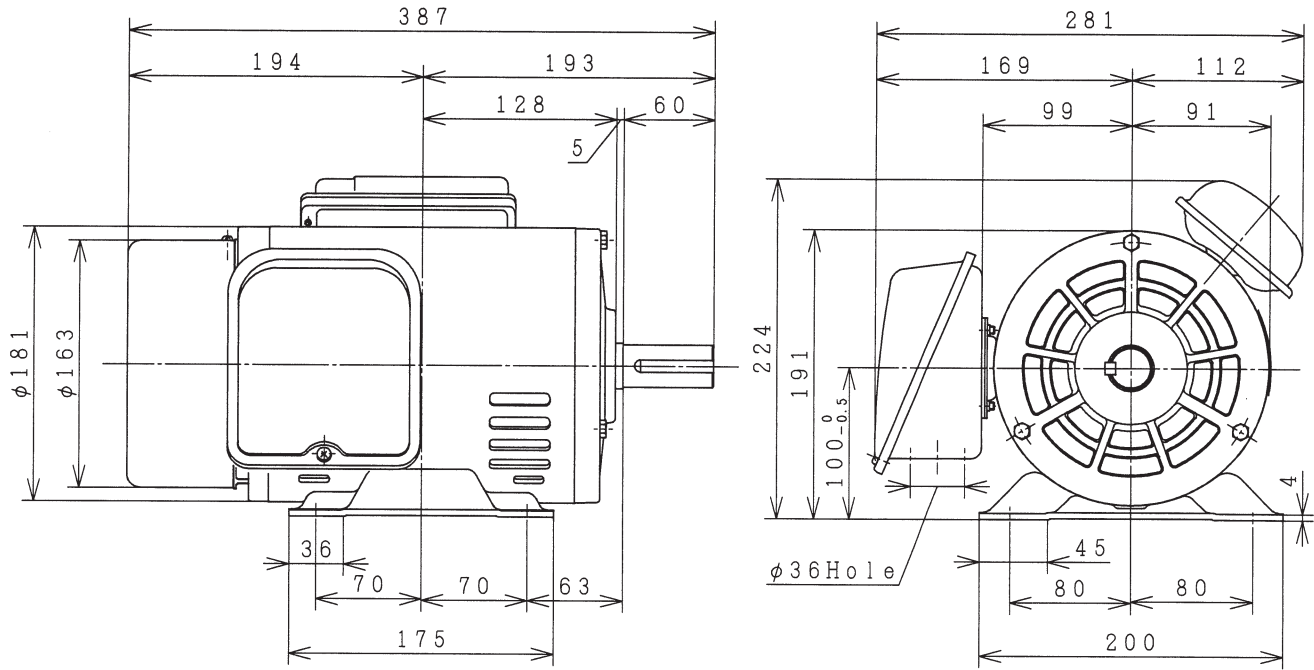
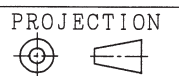


CAPACITOR START CAPACITOR RUN SINGLE PHASE INDUCTION MOTOR

OUTPUT	TYPE	FORM	RATING	VOLTAGE (V)	FREQ. (Hz)	SYNC. SPEED (min ⁻¹)	POLES	INS. CLASS	MASS (kg)
2HP	EFOUP	KQ	S1	220	50	1500	4	B	32



CONNECTION



CUSTOMER			QTY.	ORDER No.	WORK No.	REV.		
DWN.	Y. Sattra	26-Apr-2024	<h2 style="margin: 0;">DIMENSIONS</h2>		<p style="margin: 0;">HITACHI Hitachi Industrial Technology (Thailand), Ltd.</p>			
CHKD.	D. Itthidech						HITT WORKS DWG. No.	SH.
APPD.	D. Itthidech						4HTD05837	
FRAME SIZE			EFOUP-KQ (100)					